

Zip® MicroPurity Water Filters



Affix Model Number Label Here

804984

GP



Read These Warnings First



- Designed for indoor use only – do not expose filters to the elements of nature.
- Do not install where exposed to direct sunlight or temperatures $<4^{\circ}\text{C}$ or $>40^{\circ}\text{C}$.
- Must be installed with service isolating valve and double non-return valve.
- Minimum safe operating water pressure is 70 kPa, maximum 700 kPa.
- Must be installed with pressure reduction valve if pressure exceeds 700 kPa.
- Do not install where water quality is unknown or microbiologically unsafe.
- After a period of non-use thoroughly flush the filter or tanks.
- For safety's sake, replace all filter cartridges at intervals of 12 months or less.
- Replace any filter if water flow slows or if unpleasant tastes or odours occur.

WARNING

To reduce the risk associated with the ingestion of contaminants:

- Do not use with water that is microbiologically unsafe or of unknown quality without adequate disinfection before or after the system. Systems certified for cyst reduction may be used on disinfected water that may contain filterable cysts. EPA Establishment 070595-MEX-001

To reduce the risk associated with hazardous voltage due to an installer drilling through existing electric wiring or water pipes in the area of installation:

- Do not install near electric wiring or piping which may be in path of a drilling tool when selecting the position to mount the system bracket.

CAUTION

To reduce the risk associated with property damage due to water leakage:

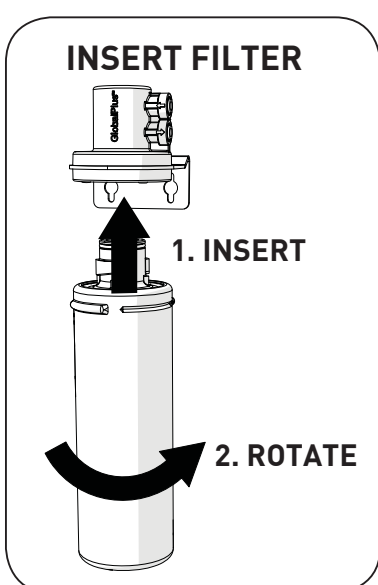
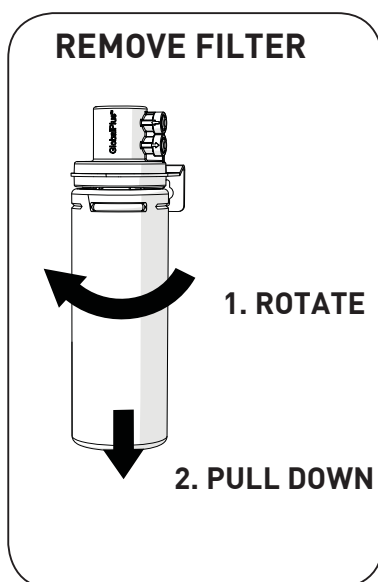
- Read and follow Use Instructions before installation and use of this system.
- Installation and use MUST comply with all state and local plumbing codes.
- Protect from freezing, remove filter cartridge when temperatures are expected to drop below 4.4°C .
- Do not install systems in areas where ambient temperatures may go above 43°C .
- Do not install on hot water supply lines. The maximum operating water temperature of this system is 38°C .
- If water pressure exceeds 700 kPa, you must install a pressure limiting valve. Contact a plumbing professional if you are uncertain how to check your water pressure.
- Do not install where water hammer conditions may occur. If water hammer conditions exist you must install a water hammer arrester. Contact a plumbing professional if you are uncertain how to check for this condition.
- Where a backflow prevention device is installed on a water system, a device for controlling pressure due to thermal expansion must be installed.
- Do not use a gas torch or other high temperature sources near system, cartridges, plastic fittings or plastic plumbing.
- Do not install in direct sunlight or outdoors.

Read These Warnings First

- When selecting the position to mount the bracket do not install near water pipes which will be in path of a drilling tool.
- Mount system in such a position as to prevent it from being struck by other items used in the area of installation.
- Ensure that the location and fasteners will support the weight of the system when installed and full of water.
- Ensure all tubing and fittings are secure and free of leaks.
- Do not install using rigid piping. System intended for use with plastic water lines (such as PEX tubing, PE tubing, PP tubing).
- The disposable filter cartridge MUST be replaced every 12 months, at the rated capacity or sooner if a noticeable reduction in flow rate occurs.

How to Replace the External Filter Cartridge

FILTER CARTRIDGE REPLACEMENT



This instruction is for the replacement of the filter in product where the filter is mounted externally. Variations apply depending on the product. Refer to individual instruction. In preparation for your filter activation/flushing, ensure you have a 10 litre container available.

Some water may drip from the filter head (socket) during replacement. Keep a towel handy to dry up any drips.

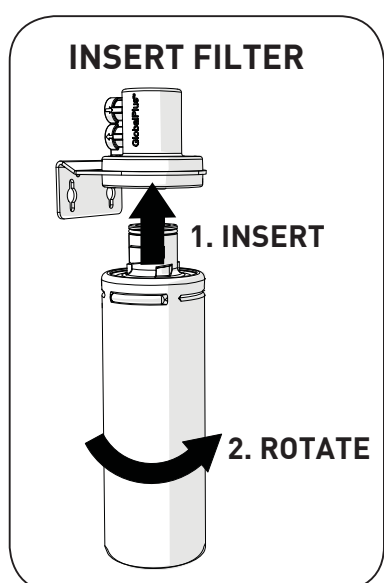
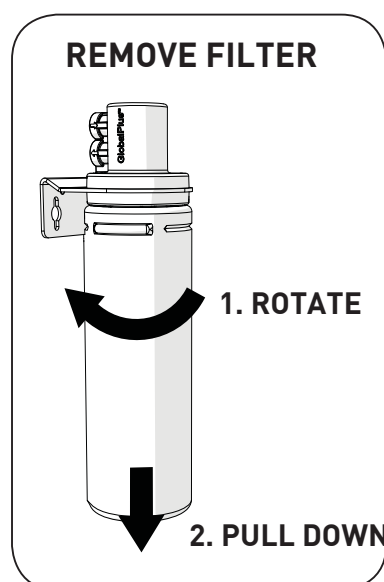
To Change the Filter:

1. Shut off the main water supply isolation valve at the wall.
 2. Grasp filter cartridge and twist right to left one quarter turn until it stops.
 3. Ease cartridge downwards to detach it from the filter head (socket).
- Caution:** A small amount of water will drip as the cartridge is removed.
4. Do not tilt the cartridge as water may spill from it.
 5. Unpack the replacement cartridge, remove the sanitary cap and write today's date where shown on the label.
 6. Avoid touching the filter "O" rings and filter opening as this may cause bacterial contamination of the cartridge.
 7. Align the filter cartridge.
 8. Slide the cartridge upward into the head and rotate from left to right until filter locks into place.
 9. Re-open the main water supply isolation valve at the wall.
 10. To activate the cartridge, if connected to a filter tap, run water by opening the tap until approximately 10 litres of water has passed through the filter. (for other combined products see warning below)
 11. Wipe up any spills and dispose of the spent filter cartridge and packaging thoughtfully.

Warning: If the filter is external to a boiling water, chilled water or combined boiling and chilled water dispensing product, the hose that enters the dispensing product should be disconnected from the product and the filter activation/flush needs to be directed through this hose into a bucket to avoid flushed particles from entering into the storage tanks.

How to Replace the Internal Filter Cartridge

FILTER CARTRIDGE REPLACEMENT



This instruction is for the replacement of the filter in the Zip HydroTap product where the filter is mounted internally. In preparation for your filter flushing, ensure you have a 10 litre container available.

Some water may drip from the filter head (socket) during replacement. Keep a towel handy to dry up any drips.

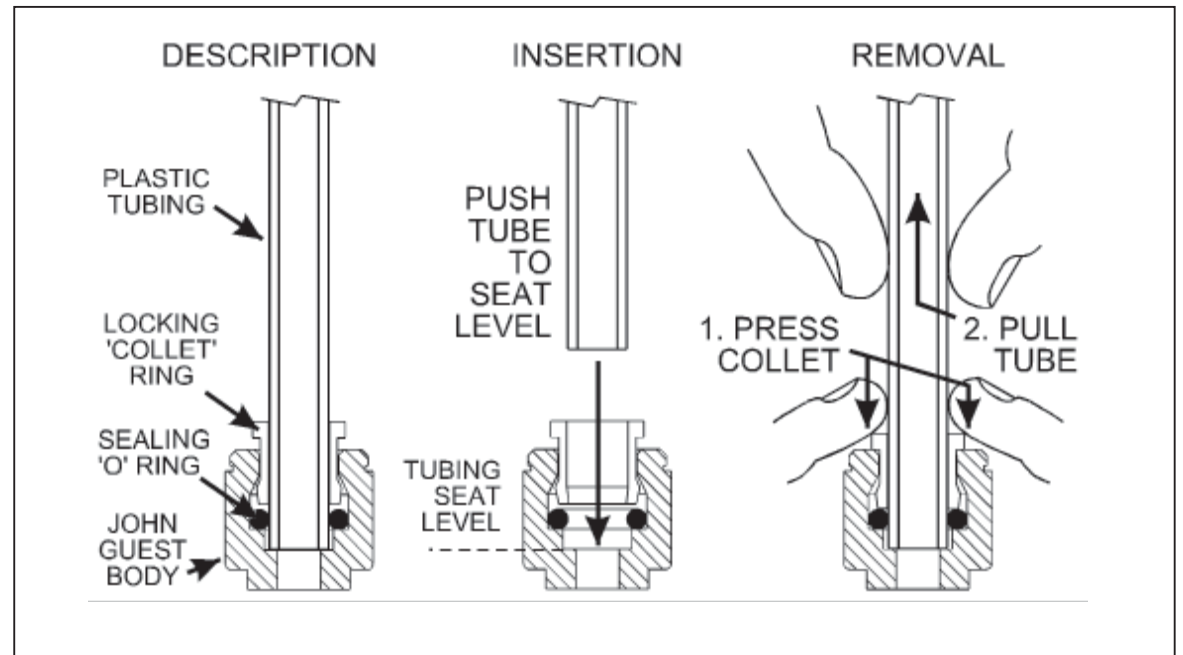
To change the Filter:

1. Go to filter flush in the menu, this isolates the water supply. Variations apply depending on the product. Refer to individual instruction.
2. Relieve system pressure via the filter flush stop cock if provided, a quick open and close will do. Use the bucket to catch the discharge.
3. Grasp filter cartridge, rotate the cartridge a quarter turn to the left and gently pull down. **Caution:** a small amount of water will drip as the cartridge is removed.
4. Do not tilt the cartridge as water may spill from it if tilted.
5. Unpack replacement cartridge, write today's date where shown on the label and remove the sanitary cap.
6. Avoid touching the filter O-rings and filter opening as this may cause bacterial contamination of the cartridge.
7. Push the new cartridge in and up into the filter head.
8. Turn the cartridge a quarter turn to the right until the cartridge comes to complete stop and is locked into position.
9. Locate the filter flush hose (if provided) situated behind the filter cartridge and direct the hose into a container ready for flushing. Open the filter flush stop-cock. On the menu press Adjust or Start, this will start the water flow, flushing the cartridge. Allow at least 10 litres of water through the cartridge before use, to activate the filter. Isolate the filter flush stop-cock and re-fit behind the filter cartridge. Now stop filter flush or press filter flush off to stop the flow. (It may take approximately 3 minutes to flush the 10 litres.)
10. Wipe up any spills and dispose of spent filter cartridge and packaging thoughtfully.
11. If your unit is a G4 HydroTap with a touch screen. Go to Menu >Install>Filter Reset >reset internal filter. Or in G3 HydroTap scroll through the menu to "Litres Filtered", press adjust ▲ to reset litre counter. Press adjust ▲ and it asks "are you sure". Press adjust ▲ again to lock in the command.
12. Scroll through the menu to "Filter Used (Days)", press adjust ▲ to reset the timer. Press adjust ▲ and it asks "are you sure". Press adjust ▲ again to lock in the command. After approx 10 seconds it will default to the selected mode.
13. Close the door to secure the appliance.

Inserting & Removing Water Supply Lines from John Guest Fittings

General instructions for John Guest connections

NOTE: Ensure all John Guest tube ends are cut clean and square.



Other information

Important Notice

Read this data sheet to compare the capabilities to your actual water treatment needs before purchasing.

More Information

When the filter is fitted to an appliance, please refer to the appliance owner's guide for more product specific information and advice on how to avoid contamination from improper handling and installation.

Warranty

Zip Water Filter cartridges are not covered by standard Zip warranty as filter life may vary according to water quality and rate of use.

Filter Performance Data - 0.2 Micron

HEALTH CLAIM PERFORMANCE CERTIFIED BY NSF

This system has been tested according to NSF/ANSI Standards 42 and 53 for the reduction of the substances listed below. The concentration of the indicated substances in water entering the system was reduced to a concentration less than or equal to the permissible limit for water leaving the system, as specified in NSF/ANSI Standard 42 and 53.

| Substance | Influent Challenge Concentration | Average Influent Concentration | Maximum Acceptable Value‡ | Maximum Permissible Water Concentration | Reduction Requirements | Average Effluent Concentration | Average Reduction |
|---|---|--------------------------------|---------------------------|---|------------------------|--------------------------------|-------------------|
| STANDARD 42 – AESTHETIC EFFECTS | | | | | | | |
| Chlorine | 2.0 mg/L ± 10% | 2 mg/L | 4 mg/L / 5 mg/L | | ≥ 50% | 0.05 mg/L | 97.4% |
| Particulate Class I particles 0.5 to <5µm | at least 10,000 particles / mL | 6,433.333/L | | | ≥ 85% | 47,388/L | 99.3% |
| Bacteriostatic | Unit passes NSF Std. 42 for Bacteriostatic effects. | | | | | | |
| STANDARD 53 – HEALTH EFFECTS | | | | | | | |
| Cyst | Minimum 50,000 / L | | 99.9% / <1/100 L | | 99.95% | | 99.99% |
| Lead 8.5 | 0.15 mg/L ± 10% | 0.155 mg/L | 0.015 mg/L / 0.01 mg/L | 0.010 mg/L | | 0.001 mg/L | 98.9% |
| Lead 6.5 | 0.15 mg/L ± 10% | 0.147 mg/L | 0.015 mg/L / 0.01 mg/L | 0.010 mg/L | | 0.0005 mg/L | 99.3% |

*Tested using flow rate = 1.0 gpm; pressure = 60 psig ± 3; pH = 7.5 ± 0.5; temp. = 20° ± 3°C

‡United States Environmental Protection Agency (USEPA) Safe Drinking Water Act / New Zealand Ministry of Health Drinking-water Standards for New Zealand

This appliance meets the domestic water treatment appliance Standards AS/NZS 3497 and AS/NZS 4348 for the following water process:

| Class | Treatment Type | Function | Pass |
|--------|---|---|------|
| I | Microbiological Status Bacteriostatic | Will stop bacteria increasing, but will not remove unless II(a) is passed. | ✓ |
| II | Microbiological Treatment | | |
| II (a) | Bacteria Removal | Will remove or inactivate bacteria. | N/A |
| II (b) | Virus Removal | Will remove or inactivate virus. | N/A |
| II (c) | Protozoa Removal | <i>Cryptosporidium</i> and <i>Giardia</i> . Will not remove or inactivate bacteria unless II(a) and II(b) are passed. | ✓ |
| III | Particulate Reduction | Reduces cloudiness. | ✓ |
| IV | Taste and Odour Reduction | Reduces tastes and odours. | ✓ |
| V | Chemical Treatment | Decreases certain chemicals: - Lead | ✓ |

Legend: ✓ = Pass N/A = Not Applicable

OPERATING SPECIFICATIONS

- Pressure requirement: 10 -125 psi (0.7 - 8.6 bar), non-shock
- Temperature: 35 -100°F (2-38°C)

| Model | Flow Rate | Capacity | Kit # |
|--------------------------------|-----------|----------|-------|
| 0.2mic MicroPurity Filter 1S | 3.75 Lpm | 4163 L | 93701 |
| 0.2mic MicroPurity filter 1.5S | 5.678 Lpm | 6813 L | 93702 |
| 0.2mic MicroPurity Filter 2S | 5.678 Lpm | 9463 L | 93704 |

System Tested and Certified by NSF International

against NSF/ANSI Standard 42 and 53 for the reduction of:

| STANDARD NO.42 - AESTHETIC EFFECTS | STANDARD NO.53 - HEALTH EFFECTS |
|------------------------------------|---------------------------------|
| Bacteriostatic Effects | Chemical Reduction |
| Chemical Reduction | Lead |
| Taste & Odor | Mechanical Filtration |
| Chlorine | Cyst |
| Mechanical Filtration | |
| Nominal Particulate Class I | |

* The term “bacteriostatic” indicates that the system limits the passage or growth of bacteria that may already exist in the incoming water. It does not mean that water leaving the system is safer to drink than water entering the system.



**AS/NZS 3497
WM -0350001
Global-Mark.com.au**



Filter Performance Data - 3 Micron

HEALTH CLAIM PERFORMANCE CERTIFIED BY NSF/ANSI *

This system has been tested according to NSF/ANSI 42 for the reduction of the substances listed below. The concentration of the indicated substances in water entering the system was reduced to a concentration less than or equal to the permissible limit for water leaving the system, as specified in NSF/ANSI Standard 42.

| Substance | Influent Challenge Concentration | Average Influent Concentration | Maximum Acceptable Value‡ | Maximum Permissible Water Concentration | Reduction Requirements | Average Effluent Concentration | Average Reduction |
|--|---|--------------------------------|---------------------------|---|------------------------|--------------------------------|-------------------|
| STANDARD 42 - AESTHETIC EFFECTS | | | | | | | |
| Chlorine | 2.0 mg/L ± 10% | 2 mg/L | 4 mg/L / 5 mg/L | | ≥ 50% | 0.05 mg/L | 90.6% |
| Particulate Class II particles 1 to <5µm | at least 10,000 particles / mL | | | | ≥ 85% | | 97.1% |
| Bacteriostatic | Unit passes NSF Std. 42 for Bacteriostatic effects. | | | | | | |

*Tested using flow rate = 1.0 gpm; pressure = 60 ± 3 psig; pH = 7.5 ± 0.5; temp. = 20° ± 3°C
 ‡United States Environmental Protection Agency (USEPA) Safe Drinking Water Act /
 New Zealand Ministry of Health Drinking-water Standards for New Zealand

This appliance meets the domestic water treatment appliance Standards AS/NZS 3497 and AS/NZS 4348 for the following water process:

| Class | Treatment Type | Function | Pass |
|--------|---|--|------|
| I | Microbiological Status Bacteriostatic | Will stop bacteria increasing, but will not remove unless II(a) is passed. | ✓ |
| II | Microbiological Treatment | | |
| II (a) | Bacteria Removal | Will remove or inactivate bacteria. | N/A |
| II (b) | Virus Removal | Will remove or inactivate virus. | N/A |
| II (c) | Protozoa Removal | <i>Cryptosporidium</i> and <i>Giardia</i> . Will not remove or inactivate bacteria unless II(a) and II(b) are passed. | N/A |
| III | Particulate Reduction | Reduces cloudiness. | N/A |
| IV | Taste and Odour Reduction | Reduces tastes and odours. | ✓ |
| V | Chemical Treatment | Decreases certain chemicals: - Lead | N/A |

Legend: ✓ = Pass N/A = Not Applicable

System Tested and Certified by NSF International against NSF/ANSI Standard 42 for the reduction of:

STANDARD NO.42 -
 AESTHETIC EFFECTS
 Bacteriostatic Effects
 Chemical Filtration
 Taste & Odor
 Chlorine
 Mechanical Filtration
 Nominal Particulate Class II

* The term "bacteriostatic" indicates that the system limits the passage or growth of bacteria that may already exist in the incoming water. It does not mean that water leaving the system is safer to drink than water entering the system.

OPERATING SPECIFICATIONS

- Pressure requirement: 10 - 125 psi (0.7 - 8.6 bar), non-shock
- Temperature: 35 - 100°F (2-38°C)

| Model | Flow Rate | Capacity | Kit # |
|------------------------------|-----------|----------|-------|
| 3mic MicroPurity filter 1.5S | 3.75 Lpm | 13248 L | 93703 |
| 3mic MicroPurity Filter 2S | 5.678 Lpm | 17034 L | 93705 |


AS/NZS 3497
WM -0350001
 Global-Mark.com.au



It is essential that the manufacture's recommended installation, maintenance and filter replacement requirements be carried out for the product to perform as advertised. See installation Manual for details.

Note: While the testing was performed under standard laboratory conditions, actual performance may vary.

Contact details

Head Office

Zip Heaters (Aust) Pty. Ltd.
ABN 46 000 578 727
67-77 Allingham Street
Condell Park NSW 2200
Postal: Locked Bag 80
Bankstown 1885 Australia

Website: www.zipwater.com
Telephone (02) 9796 3100
Free Call 1 800 638 633

Head Office

Zip Water UK
14 Bertie Ward Way
Dereham
Norfolk NR19 1TE

Website: www.zipwater.com/uk
sales@zipindustries.co.uk
Telephone: 0345 6 005 005
Facsimile: 01362 692 448

The term "Zip" is a registered trademark.

As Zip policy is one of continuous product improvement, changes to specifications may be made without prior notice. Images in this booklet have been modified and may not be true representations of the finished goods.

The standard cup referred to in this publication is 167 ml (6 fl oz).

© 2017 Zip Heaters (AUST) Pty. Ltd. All Rights Reserved.

The terms "Zip" "Hydroboil", "Autoboil", "Econoboil", "Power-Pulse", "GlobalPlus", "MicroPurity" are trademarks of Zip Heaters (AUST) Pty Ltd.

Products described in this publication are manufactured under one or more patents and further patent applications are pending.

One or more products described in this publication are also registered designs of Zip Heaters (AUST) Pty Ltd.



All components are
FDA CFA compliant

