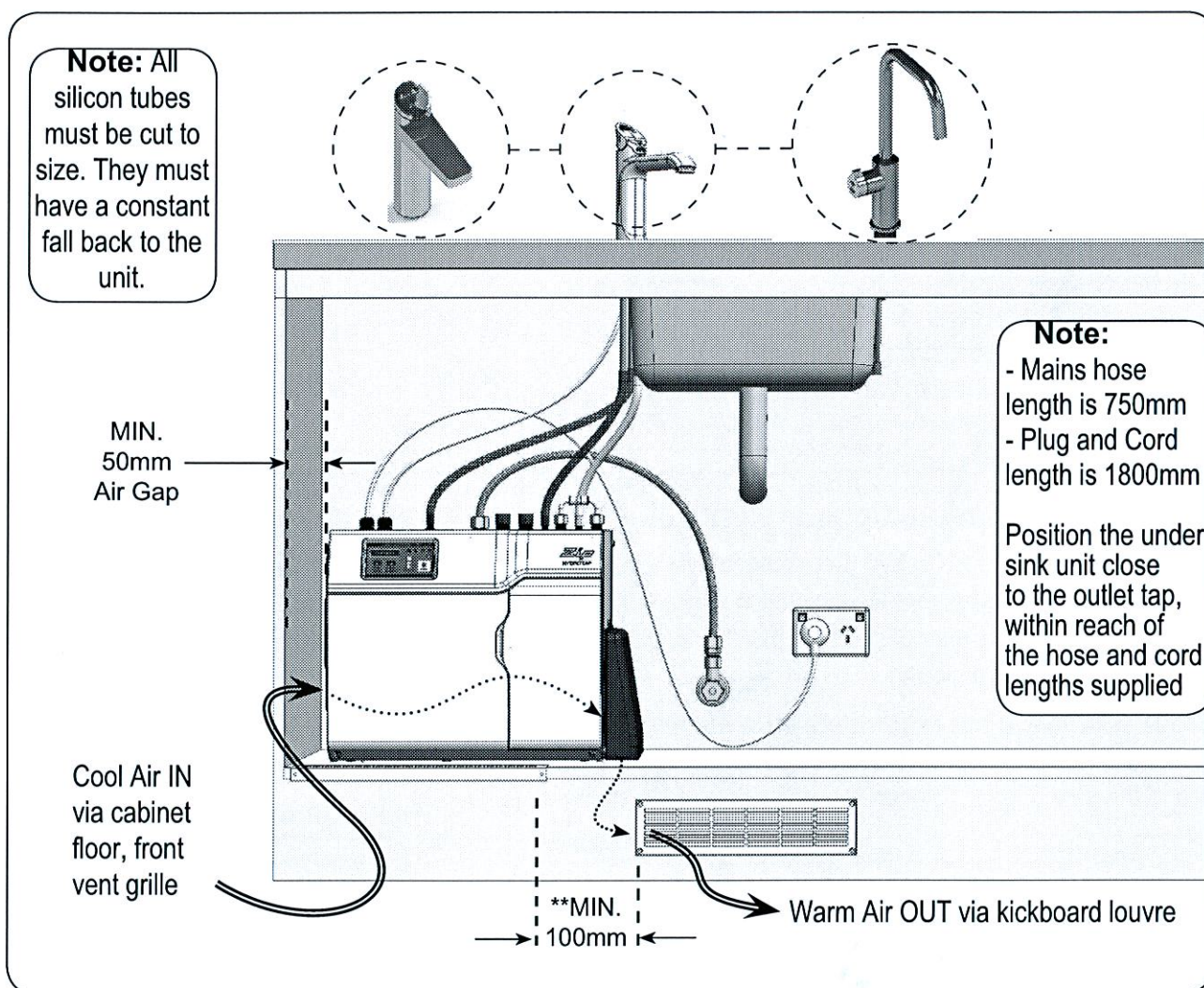


# Section 2 Ventilation

When installing air flow ducts, the following tools will be required:

- Jigsaw and 12mm Drill
- Keyhole or Wall Board saw.

Recommended Installation showing the correct air flow



## 2.1 All Models

Proper air circulation must be provided for all Boiling and Chilled models. The system will operate correctly only if the recommended air gaps are achieved during Installation. The vent duct and louvre panels must be installed for all under floor and /or door vent systems, as instructed.

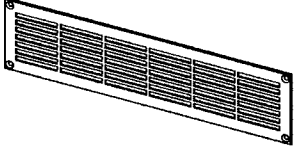
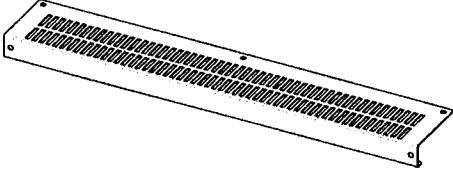

**\*\*Note:** Inlet and outlet vents should be separated by a Min 100mm, to avoid hot air recirculation.



**IMPORTANT: See section 5.3 for clearances.**

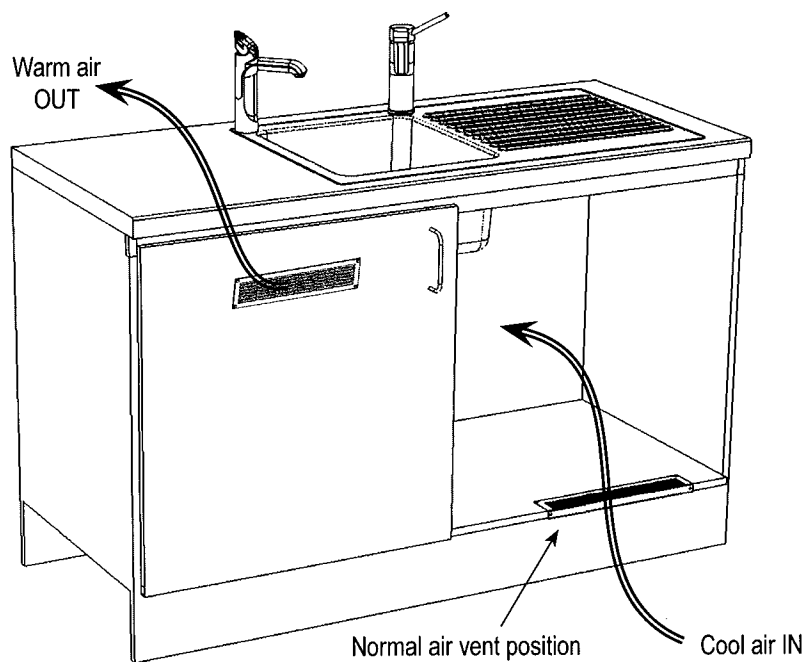
# Ventilation Grille Kit

## Kit Components

<b>Door outlet vent</b>	
<b>Air Inlet vent</b>	
<b>Screws</b>	

## Airflow through the cupboard

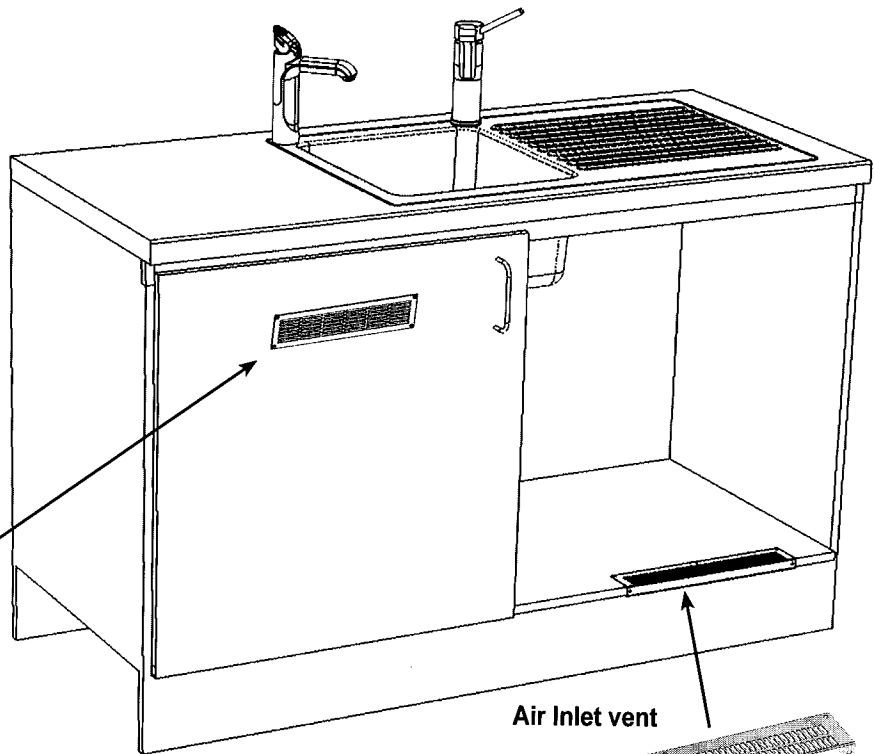
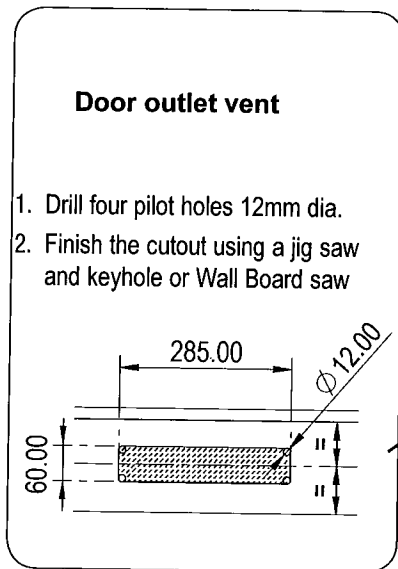
Air temperatures inside the cupboard should be between 5°C - 35°C. This kit will assist in maintaining the correct operating temperatures. If operating temperatures are outside of this range then contact your nearest Zip service centre.



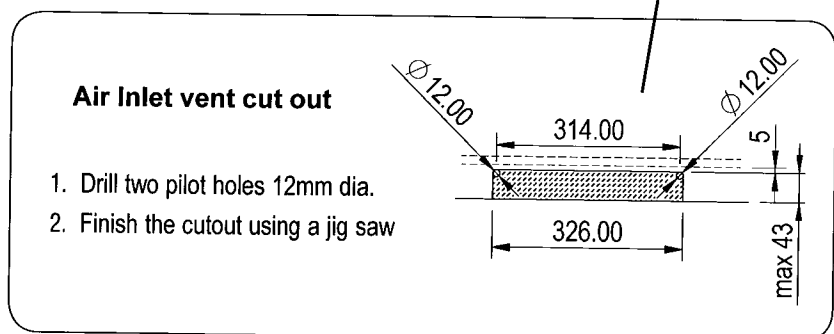
# Ventilation Grille Kit

1. Mark out and cut the Air Inlet and Door outlet holes as shown
2. Ensure the air inlet vent and air outlet vent are positioned at opposite ends of the same cupboard space.
3. Fit the inlet vent, as shown and secure with 5 screws
4. Fit the outlet vent, as shown in the hottest part (top) of the cupboard and secure with 4 screws

## Typical installation



**Air Inlet vent**



## Head Office

Zip Heaters (Aust) Pty. Ltd.  
ABN: 46 000 578 727  
67 Allingham Street  
Condell Park NSW 2200  
Postal: Locked Bag 80  
Bankstown 1885 Australia

Website: [www.zipheaters.com](http://www.zipheaters.com)  
Facsimile: (02) 9796 3858  
Telephone: (02) 9796 3100  
Free Call: 1 800 638 633

As Zip policy is one of continuous product improvement, changes to specifications may be made without prior notice. Images in this booklet have been modified and may not be true representations of the finished goods.

**Zip**<sup>®</sup>